



Pattern Collection: Women



Trellis Tee

Designed by Universal Yarn Design Team

SIZES

Small (Medium, Large, 1X, 2X)
Shown in Small size modeled with no ease.

FINISHED MEASUREMENTS

Bust: 32 (36, 40, 44, 48)''

MATERIALS

Wisdom Yarns *Saki Silk* (55% fine merino superwash, 20% silk, 25% nylon; 100g/440 yds)

- 301 Shadowscape (MC) – 2 (2, 3, 3, 4) balls
- 304 Giverny (CC) – 1 ball, all sizes

Needles: US Size 4 (3.55 mm) straight,

Hook: US Size E-4 (3.5 mm)

Notions: Tapestry needle

GAUGE

1 Trellis Square = 2½'' across

24 sts x 32 rows = 4'' in St st

Save time, check your gauge.

Knit, Relax, Smile, Repeat!

2014 © Universal Yarn, Inc.

All rights reserved.

www.universalyarn.com

This pattern may not be reproduced for business, trade or sale.

PATTERN NOTES

This tee uses both knit and crochet. The front panel is comprised of crochet motifs. The sides of the front, back, and sleeves are knit. Edges are finished off with a picot crochet technique.

STITCH GUIDE

Trellis Square

Using crochet hook and CC, begin with adjustable ring.

Rnd 1: Ch 4 (counts as dc + ch 1), [dc, ch 1] 7 times in ring, join with sl st to third ch of beg ch-3 – 8 dc, 8 ch-1 sps.

Rnd 2: Ch 4 (counts as dc + ch 1), [dc, ch 3, dc] in next dc, ch 1, * dc in next dc, ch 1, [dc, ch 3, dc] in next dc, ch 1; rep from * around, join with sl st to third ch of beg ch 3.

Rnd 3: Ch 4 (counts as dc + ch 1), * dc in next dc, ch 1, [dc, ch 3, dc] in next sp, **[ch 1, dc in next dc] 2 times, ch 1; rep from * around, ending last rep at **, ch 1, dc in next dc, join with sc to third ch of ch-4.

Rnd 4: Ch 2, dc in next sp, ch 1, [dc2tog over same and next sp, ch 1] 2 times, *[dc2tog, ch 2, dc2tog] in same sp, ch 1**, [dc2tog over same and next sp, ch 1] 5 times; rep from * around, ending last rep at **, dc2tog over same and next sp, ch 1, dc2tog over same and next sp, join with sc to first cluster.

Rnd 5: Ch 1, sc in sp formed by joining sc, ch 1, [sc in next sp, ch 1] 3 times, *[sc, ch 1] 2 times in next sp**, [sc in next sp, ch 1] 6 times; rep from * around, ending last rep at **, [sc in next sp, ch 1] 2 times, join with sl st to first sc. Fasten off.

Picot Edging

Row 1: Ch 1, sc in same st, sc in next st, [sc, ch 3, sl st] in next st, * sc in next 2 sts, [sc, ch 3, sl st] in next st; rep from * around, join with sl st to beg sc.

FRONT PANEL

Square 1

Work Rnds 1-5 of Trellis Square.

Square 2

Work Rnds 1-4 of Trellis Square.

Joining Rnd 5: Ch 1, sc in sp formed by joining sc, ch 1, [sc in next sp, ch 1] 3 times, [sc, sl st in corresponding corner from previous motif, sc] in ch-2 sp, ch 1, [sc in next sp, sl st in corresponding

ch-1 sp from previous motif] 6 times, [sc, sl st in corresponding corner from previous motif, sc] in ch-2 sp, complete remainder of rnd 5 as above.

Squares 3-24

Continue making Trellis Squares and joining, arranging squares in a rectangle of 3 x 8 squares.

LEFT FRONT

With MC, cast on 26 (32, 38, 44, 50) sts. Knit a WS row.

Establish Pattern

Row 1 (RS): Knit to last 5 sts, yo, ssk, k3.

Row 2 (WS): K3, purl to end.

Rep Rows 1 & 2 until piece meas 15½ (15¼, 14¾, 14½, 14½)”, ending with WS row.

Shape Armhole

Row 1 (RS): Bind off 3 (4, 6, 7, 8) sts, work in patt to end – 23 (28, 32, 37, 42) sts rem. Work a WS row even.

Dec row (RS): K1, k2tog, work in patt to end – 1 st dec’d. Rep Dec row every RS row, - (2, 3, 5, 7) more times – 22 (25, 28, 31, 34) sts rem. Work even in patt until Armhole meas 7½ (8, 8½, 9, 9¼)”, ending with WS row. Bind off all sts.

RIGHT FRONT

With MC, cast on 26 (32, 38, 44, 50) sts. Knit a WS row.

Establish Pattern

Row 1 (RS): K3, k2tog, yo, knit to end.

Row 2 (WS): Purl to last 3 sts, k3.

Rep Rows 1 & 2 until piece meas 15½ (15¼, 14¾, 14½, 14½)”, ending with RS row.

Shape Armhole

Row 1 (WS): Bind off 3 (4, 6, 7, 8) sts, work in patt to end – 23 (28, 32, 37, 42) sts rem.

Dec row (RS): Knit to last 3 sts, ssk, k1 – 1 st dec’d. Rep Dec row every RS row, - (2, 3, 5, 7) more times – 22 (25, 28, 31, 34) sts rem. Work even in patt until Armhole meas 7½ (8, 8½, 9, 9¼)”, ending with WS row. Bind off all sts.

BACK

With MC, cast on 96 (108, 120, 132, 144) sts. Work even in St st until piece meas 15½ (15¼, 14¾, 14½, 14½)”, ending with WS row.

Shape Armholes

Knit. Relax. Smile. Repeat!

2014 © Universal Yarn, Inc.

All rights reserved.

www.universalyarn.com

This pattern may not be reproduced for business, trade or sale.

Bind off 3 (4, 6, 7, 8) sts at beg of next 2 rows – 90 (100, 108, 118, 128) sts rem.

Dec row (RS): K1, k2tog, knit to last 3 sts, ssk, k1 – 2 sts dec'd. Rep Dec row every RS row, - (2, 3, 5, 7) more times – 88 (94, 100, 106, 112) sts rem. Work even in St st until Armhole meas 7½ (8, 8½, 9, 9¼)", ending with WS row. Bind off all sts.

SLEEVES

With MC, cast on 84 (90, 96, 102, 108) sts. Work in St st for 1½", ending with WS row.

Shape Cap

Bind off 3 (4, 6, 7, 8) sts at beg of next 2 rows – 78 (82, 84, 88, 92) sts rem.

Dec row (RS): K1, k2tog, knit to last 3 sts, ssk, k1 – 2 sts dec'd. Rep Dec row every other RS row, 2 (2, 3, 3, 2) more times, then rep Dec row every RS row, 15 (17, 17, 19, 22) times – 42 sts rem. Bind off 3 sts at beg of next 2 rows, 4 sts at beg of next 2 rows, and 5 sts at beg of next 2 rows. Bind off rem 18 sts.

FINISHING

Block pieces to finished measurements. Sew Front Panel to Left and Right Fronts. Sew shoulder seams. Sew Sleeve caps into armholes. Sew side seams.

Hem Sleeve, and Neck Edging

With crochet hook and MC, join yarn to edge of piece. Work Row 1 of Picot Edging. Fasten off. Weave in ends.

Abbreviations

bef	before
beg	begin(ning)
CC	contrast color
cont	continue
dec('d)	decrease(d)
inc('d)	increase(d)
k	knit
k2tog	knit 2 stitches together (1 st dec'd)
MC	main color
meas	measures
ndl	needle
patt	pattern
p	purl
rem	remain(ing)
rep	repeat

rnd	round
RS	right side
sl	slip
ssk	slip next 2 sts individually knitwise, slip them back to left needle in this position, knit them together through the back loops (1 st dec'd)
st(s)	stitch(es)
St st	Stockinette stitch (knit on RS rows, purl on WS rows; in the rnd, knit every rnd)
tbl	through the back loop(s)
tog	together
WS	wrong side
yo	yarn over



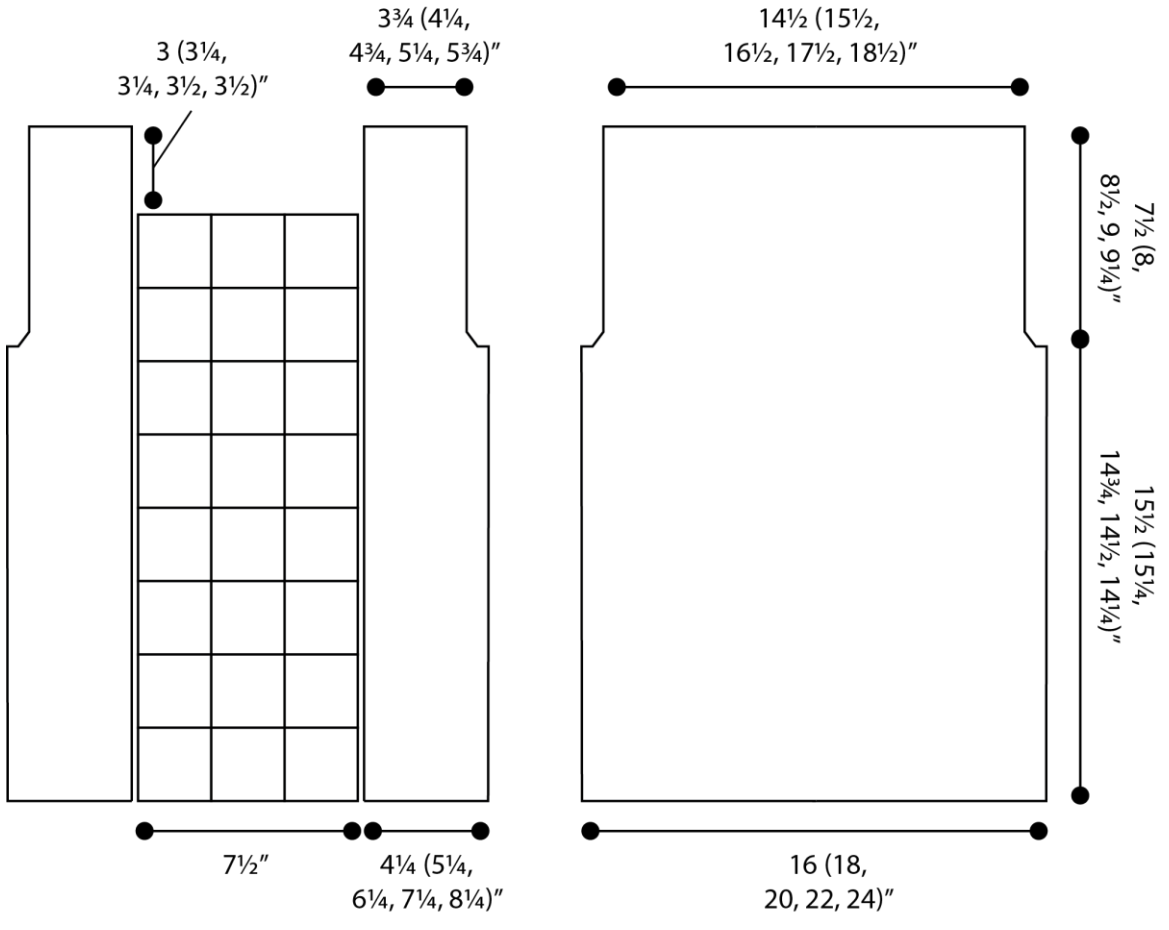
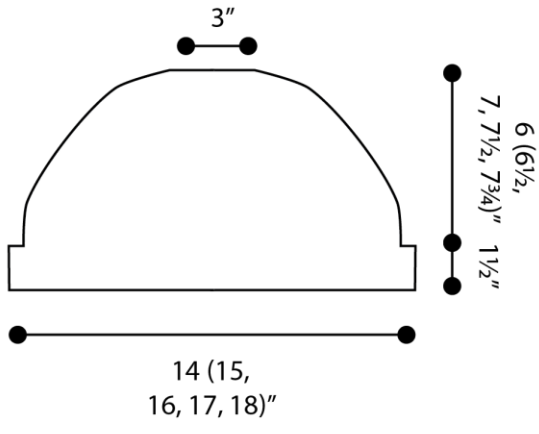
Knit. Relax. Smile. Repeat!

2014 © Universal Yarn, Inc.

All rights reserved.

www.universalyarn.com

This pattern may not be reproduced for business, trade or sale.



Knit. Relax. Smile. Repeat!

2014 © Universal Yarn, Inc.
 All rights reserved.
 www.universalyarn.com

This pattern may not be reproduced for business, trade or sale.